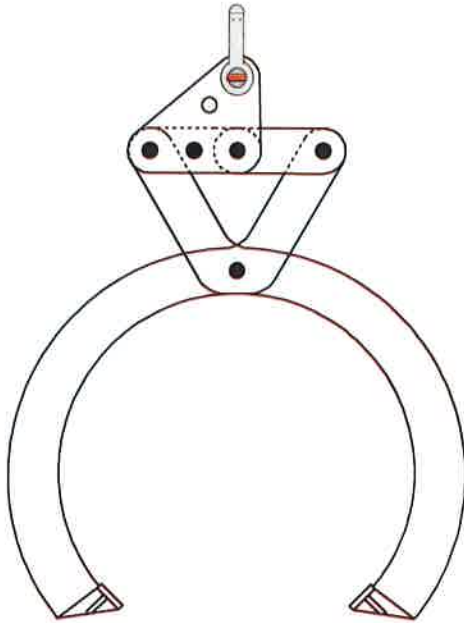
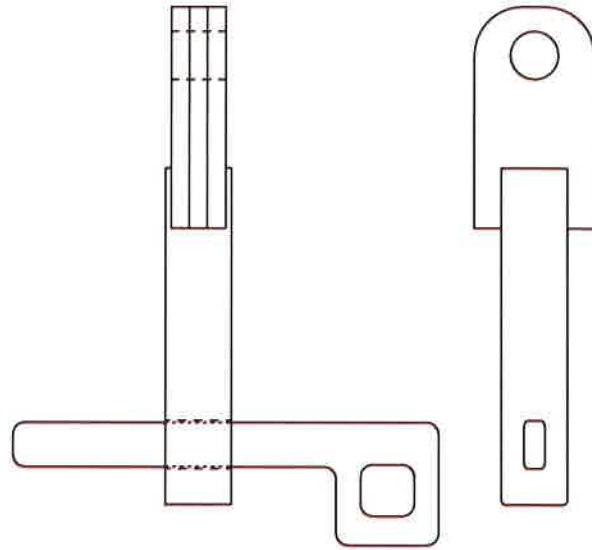




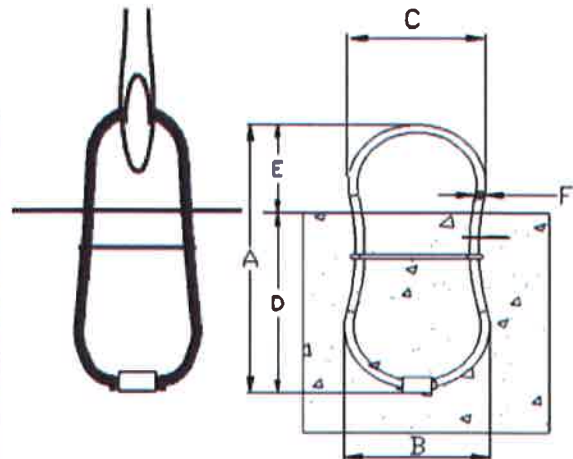
## APPAREILLES DE LEVAGE



PINCE DE LEVAGE POUR  $\leq$  TBA 900  $\varnothing$



PINCE DE LEVAGE POUR  
GROS TBA  $\geq$  1050  $\varnothing$



CABLES DE LEVAGE  
SUR PARAFUILLE

## MANUTENTION AVEC APPAREILLE DE TYPE P-75 "DAYTON"

### P76 Utility Anchor® Setting Plugs

Utility Anchor Setting Plugs a polyurethane plastic in 90° and 45° orientation.

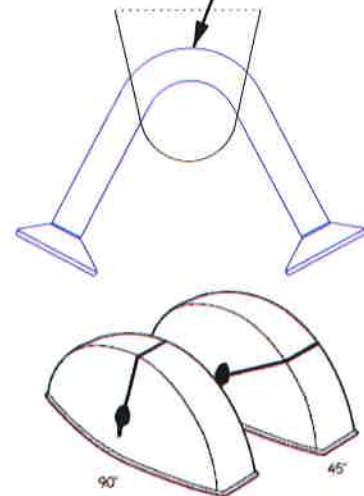
The reusable setting plug properly sets the anchor approximately 1/2" below the surface of the concrete and provides an adequate recess for easy sling attachment. After final positioning of the concrete element, the recess formed by the recess member can be easily grouted or conveniently covered by the Utility Anchor Cover/Patch.

The 90P875 Setting Plug used with the P75H 24,000 lb. anchor requires 2 each P101 holding rods to attach setting plug to the form. No holding plate or magnetic plate are available for this setting plug.

#### P76 Utility Anchor Setting Plug

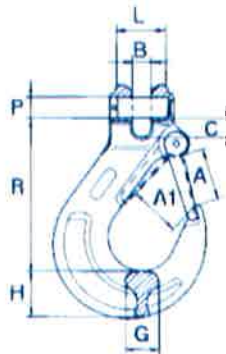
Type	Product Code No.	Length	Width	Depth	Color
90P444	123175	8.00"	3.25"	3"	Blue
45P444	123176	8.00"	3.25"	3"	Blue
90P671	123177	8.00"	3.25"	3"	Orange
90P671	127786	9.00"	4.58"	3.35"	Orange
45P671	123178	8.00"	3.25"	3"	Orange
90P875	124685	15.00"	6.13"	5"	Blue

crochets de levage  
P-75 6UA671@ 90°  
(4.75"Galv. )  
cap. 3,3 tons



P76 Utility Anchor Setting Plugs

### CBX CROCHET À CHAPE AVEC LINGUET



Catena	Code	A	A1	B	C	G	H	R	PxL	Peso	WLL
Chain	Code									Weight	
Chaîne	Code									Poids	
Kette	Code									Gewicht	

mm	inch		mm	mm	mm	mm	mm	mm	mm	mm	Kg	Kg
5-6	7/32-1/4	CBX 06SF	26	19	7,2	8	15	20	69	7,5x17,5	0,25	1400
7	9/32	CBX 07SF	34	26	9,5	10	19	28	95	9x22,5	0,55	1900
8	5/16	CBX 08SF	34	26	9,5	10	19	28	95	10x22,5	0,60	2500
10	3/8	CBX 10SF	40	31	12	13,5	25	33	110	13x29,5	1,00	4000
13	1/2	CBX 13SF	51	40	15	17	35	40	135	16x37	1,75	8700
16	5/8	CBX 16SF	56	45	18	22	37	46	155	20x52	3,20	10000
20	3/4	CBX 20SF	60	53	23	26	51	52	185	24x73	5,00	16000
22	7/8	CBX 22SF	70	62	25	29	50	63	210	26x72	12,3	19000

